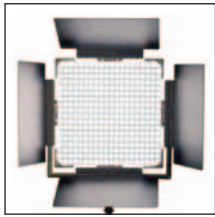
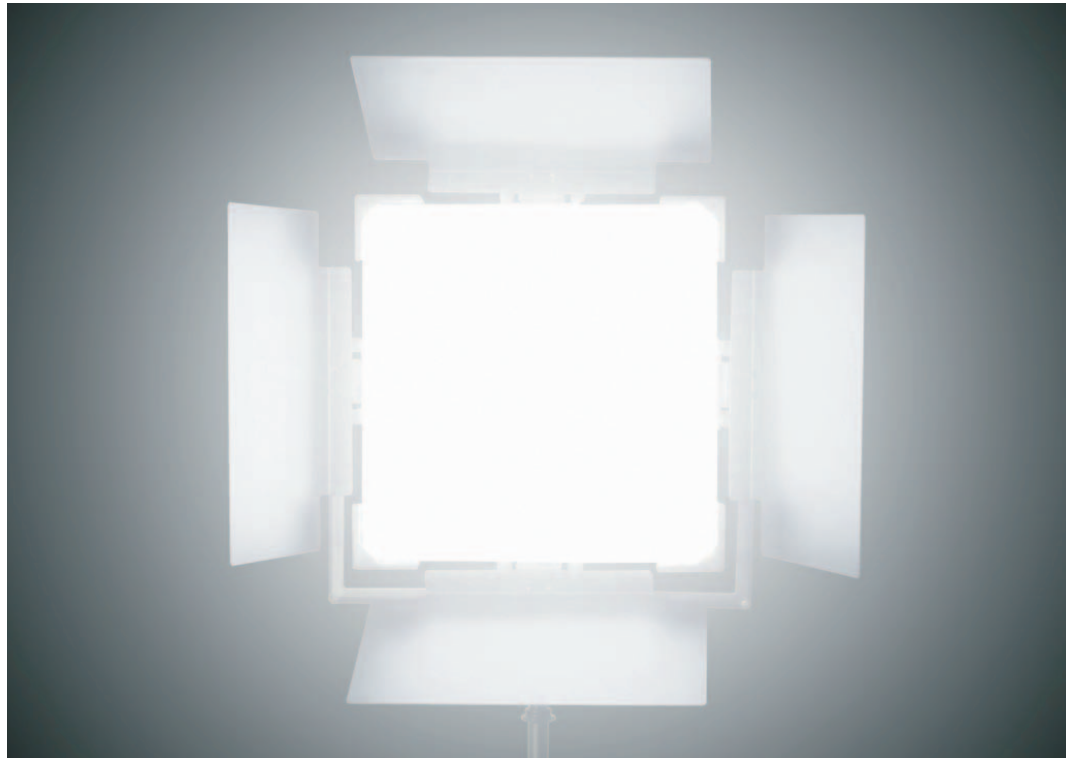


kelvin® TILE



- Efficient, high-quality white light
- Variable colour temperature
- Advanced lighting effects
- Creative control options



True-white light has arrived.

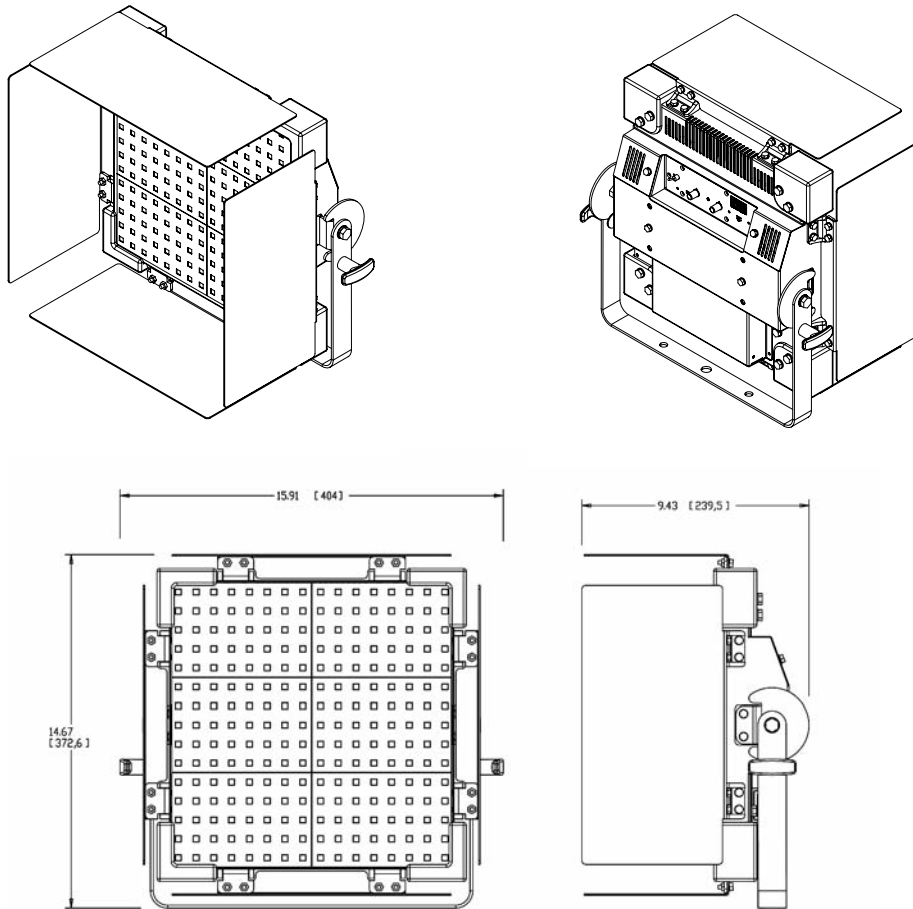
The kelvin® Technology Series LED-based lighting system provides unlimited variable colour temperature, creating a new level of flexibility in lighting. kelvin® TILES have a unique mix of 6 LEDs resulting in a high-quality, full spectrum white light specifically developed for film and video applications. And, unlike traditional lighting products, colour temperature remains consistent throughout the full range of intensity variation.

The kelvin® TILE is a professional lighting unit developed to adapt specifically to the dynamic requirements of film and video shoots. The TILE can be ordered with an industry standard V-mount to allow flexible, battery powered operation. These LED-based fixtures operate with a fraction of the power required by traditional professional lighting and with little to no heat emission.

The kelvin® TILE provides three methods of control:

- Local control for easy, standalone operation.
- Full DMX implementation.
- The kelvin PAINTBOX™, a remote control system that accesses the fixture's full range of capabilities. In addition to complete calibrated control of white light, the PAINTBOX offers Digital Gelling™ capabilities of plus/minus green biasing. In RGB mode, the PAINTBOX offers access to a wide palette of coloured lighting effects for washes, sweeps and strobe effects. One PAINTBOX can independently control up to eight individual kelvin® TILES, allowing lighting parameters to be saved, recalled, and cloned.

kelvin® TILE



SPECIFICATIONS

| | | |
|-------------------|--|---------------------|
| CCT Range | 2200K–6500K variable, with presets at 3000K and 5500K | |
| LED colour mixing | Expanded RGB with Cyan, Amber, White | |
| Beam angle | 108° (@ 50% intensity) | |
| Brightness | 273 Lux @ 1 M (3000K) 419 Lux @ 1 M (5500K) | |
| Power Consumption | 85 watts max (AC) 75 watts max (DC) | |
| Power | 11–36 VDC 90–264 VAC 50/60 Hz | |
| Dimensions | Length | 301.0 mm (11.85 in) |
| | Height | 301.0 mm (11.85 in) |
| | Depth | 99.0 mm (3.90 in) |
| Weight | 9 lbs. (4.08 kg) | |
| Accessories | Standard Kinoflo mount Single or Double Yoke mount Removable Barndoors kelvin PAINTBOX™ | |

NORTH AMERICA
Tel: +1 818 252 2613

UK
Tel: +44 (0)1926 340 500

GERMANY
Tel: +49 89 356 1601